

job name:   
 type:

## 9" top.is.tiki.up™ spec sheet 90CRI

### material

#### downlight housing

precision CNC spun .063" aluminum. downlight housing with rolled bottom edge for added strength.

#### uplight array platform

.063" spun aluminum, recesses into top of fixture.

#### downlight array platform

.080" spun aluminum.

#### bottom lens (optional)

.125" P95 frosted acrylic flat lens with 3 finger holes. recesses slightly into fixture.

### optics

#### uplight

340° omnidirectional silicone optic

#### downlight

.050" spun aluminum conical reflector finished in high reflectance (>92%) matte white powder coat.

### LED module

COB array in 2700K, 3000K, 3500K, or 4000K. (call factory for 5000K) (90+ cri standard). under normal operating conditions, the LEDs employed are rated for >50,000hrs L70 (6.8K) per IES TM-21 from LM-80 test data.

### drivers

integral, class 2, universal input (120-277v), constant current, 0-10v dimming, 1% minimum dimming level, PF >.9, THD <20%, protections include open and short circuit, overload and over temperature.

### mounting

5"dia. spun steel canopy in satin white with 6ft ultrathin stainless steel wisp cable tripod and tiny field adjustable grippers that allow for exact AFF mounting heights. or select 12ft adjustable suspension. (drawing below)

### finish

select from standard powder coat paint finishes or specify RAL# for custom colors.

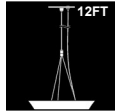

### emergency

recommend use of inverter (by other).

optional WREM: wired for remote EM battery (by other). 2nd power cord required.



## catalog number

P5909							
<b>size</b> <b>P5909</b> 9"dia X 8.5"ht  see pages 2 & 3 for info on P5913 and P5917	<b>direct LED</b> <b>CCT lumens</b> <b>27</b> 2700K <b>LO</b> 995 lm  <b>30</b> 3000K <b>HI</b> 1985 lm  <b>35</b> 3500K <b>HX</b> 2780 lm  <b>40</b> 4000K	<b>indirect LED</b> <b>CCT lumens</b> <b>27</b> 2700K <b>UP</b> 970 lm  <b>30</b> 3000K  <b>35</b> 3500K  <b>40</b> 4000K	<b>painting finish</b> <b>AP</b> anodized paint <b>BS</b> brass <b>BU</b> blue <b>BZ</b> bronze <b>CP</b> champagne <b>FB</b> flat black <b>GM</b> gun metal <b>MB</b> military blue <b>MW</b> matte white <b>OR</b> orange <b>RD</b> red <b>SB</b> satin black <b>SS</b> satin silver <b>TG</b> textured gray <b>YO</b> yellow	<b>power cord</b> <b>WHPC</b> white power cord and canopy  <b>BKPC</b> black power cord and canopy  <b>SBPC</b> silver braid power cord and white canopy	<b>options</b> <b>6FT</b> 72" cables <b>12FT</b> 12ft adj suspension <b>BL</b> Bottom lens <b>DCDM</b> dual circuit wiring on dimming direct/indirect (requires 2nd power cord) <b>WREM</b> wired for remote EM battery pack (by other) (see note above) <b>ELD</b> EldoLED* <b>LUT</b> Lutron*  *consult factory	 <b>12FT</b>	 <b>BL</b>
			<b>premium finish</b> RAL specify RAL#				



job name:   
 type:

# 13" top.is.tiki.up™ spec sheet 90CRI

**material**

**downlight housing**  
 precision CNC spun .063" aluminum. downlight housing with rolled bottom edge for added strength.

**uplight array platform**  
 .063" spun aluminum, recesses into top of fixture.

**downlight array platform**  
 .080" spun aluminum.

**bottom lens** (optional)  
 .125" P95 frosted acrylic flat lens with 3 finger holes. recesses slightly into fixture.

**optics**

**uplight** (optional)  
 340° omnidirectional silicone optic

**downlight**  
 .050" spun aluminum conical reflector finished in high reflectance (>92%) matte white powder coat.

**LED module**

COB array in 2700K, 3000K, 3500K, or 4000K. (call factory for 5000K) (90+ cri standard). under normal operating conditions, the LEDs employed are rated for >50,000hrs L70 (6.8K) per IES TM-21 from LM-80 test data. for dual circuit wiring on direct/indirect dimming luminaires, specify under options.

**driver**

integral, programmable, UL class P, class 2, universal input (120-277v), constant current, 0-10v dimming, 1% minimum dimming level, PF >.9, THD <20%, protections include open and short circuit, overload and over temperature.

**mounting**

5"dia. spun steel canopy in satin white with 6ft ultrathin stainless steel wisp cable tripod and tiny field adjustable grippers that allow for exact AFF mounting heights. or select 12ft adjustable suspension. (drawing below)

**finish**

select from standard powder coat paint finishes listed below or specify RAL# for custom colors.

**emergency**

recommend use of inverter (by other).  
 optional WREM: wired for remote EM battery (by other). 2nd power cord required.



## catalog number

P5913						
<b>size</b>	<b>direct LED</b>	<b>indirect LED</b>	<b>painted finish</b>	<b>power cord</b>	<b>options</b>	
<b>P5913</b> 13"dia X 12.5"ht  see page 3 for info on P5917	<b>CCT lumens</b> <b>27</b> 2700K <b>FX</b> 1585 lm <b>30</b> 3000K <b>LO</b> 2975 lm <b>35</b> 3500K <b>HI</b> 3375 lm <b>40</b> 4000K <b>HX</b> 4120 lm  <b>CL*</b> xxxx lm custom lumens consult factory	<b>CCT lumens</b> <b>27</b> 2700K <b>FX</b> 775 lm <b>30</b> 3000K <b>LO</b> 1745 lm <b>35</b> 3500K <b>HI</b> 1940 lm <b>40</b> 4000K <b>CL*</b> xxxx lm custom lumens consult factory	<b>AP</b> anodized paint <b>BS</b> brass <b>BU</b> blue <b>BZ</b> bronze <b>CP</b> champagne <b>FB</b> flat black <b>GM</b> gun metal <b>MB</b> military blue <b>MW</b> matte white <b>OR</b> orange <b>RD</b> red <b>SB</b> satin black <b>SS</b> satin silver <b>TG</b> textured gray <b>YO</b> yellow  <b>premium finish</b> <b>RAL</b> specify RAL#	<b>WHPC</b> white power cord and canopy  <b>BKPC</b> black power cord and canopy  <b>SBPC</b> silver braid power cord and white canopy	<b>6FT</b> 72" cables <b>12FT</b> 12ft adj suspension <b>BL</b> Bottom lens <b>DCDM</b> dual circuit wiring on dimming direct/indirect (requires 2nd power cord) <b>WREM</b> wired for remote EM battery pack (by other) (see note above) <b>ELD</b> EldoLED* <b>LUT</b> Lutron* *consult factory	



job name:   
 type:

# 17" top.is.tiki.up™ spec sheet 90CRI

**material**

**downlight housing**

precision CNC spun .063" aluminum. downlight housing with rolled bottom edge for added strength.

**uplight array platform**

.063" spun aluminum, recesses into top of fixture.

**downlight array platform**

.080" spun aluminum.

**bottom lens** (optional)

.125" P95 frosted acrylic flat lens with 3 finger holes. recesses slightly into fixture.

**optics**

**uplight** (optional)

340° omnidirectional silicone optic

**downlight**

.050" spun aluminum conical reflector finished in high reflectance (>92%) matte white powder coat.

**LED module**

COB array in 2700K, 3000K, 3500K, or 4000K. (call factory for 5000K) (90+ cri standard). under normal operating conditions, the LEDs employed are rated for >50,000hrs L70 (6.8K) per IES TM-21 from LM-80 test data. for dual circuit wiring on direct/indirect dimming luminaires, specify under options.

**driver**

integral, programmable, UL class P, class 2, universal input (120-277v), constant current, 0-10v dimming, 1% minimum dimming level, PF >.9, THD <20%, protections include open and short circuit, overload and over temperature.

**mounting**

5"dia. spun steel canopy in satin white with 6ft ultrathin stainless steel wisp cable tripod and tiny field adjustable grippers that allow for exact AFF mounting heights. or select 12ft adjustable suspension. (drawing below)

**finish**

select from standard powder coat paint finishes listed below or specify RAL# for custom colors.

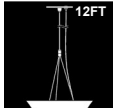

**emergency**

recommend use of inverter (by other).

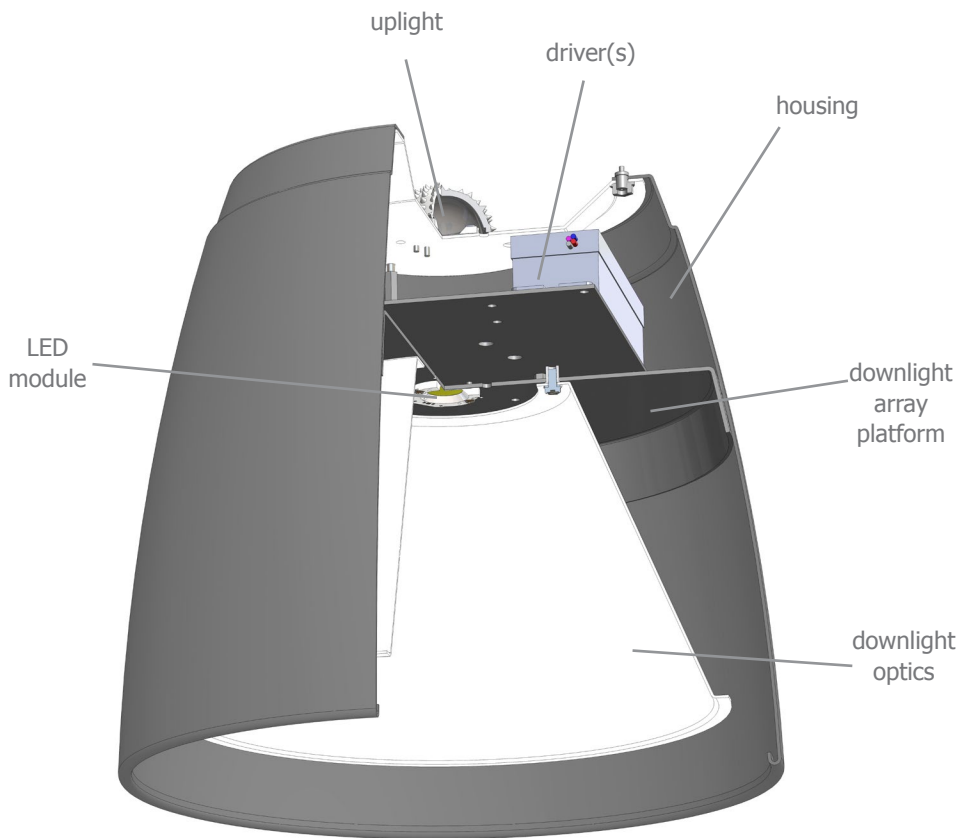
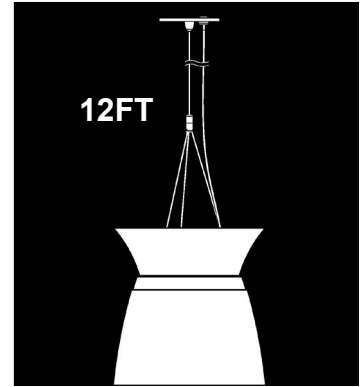
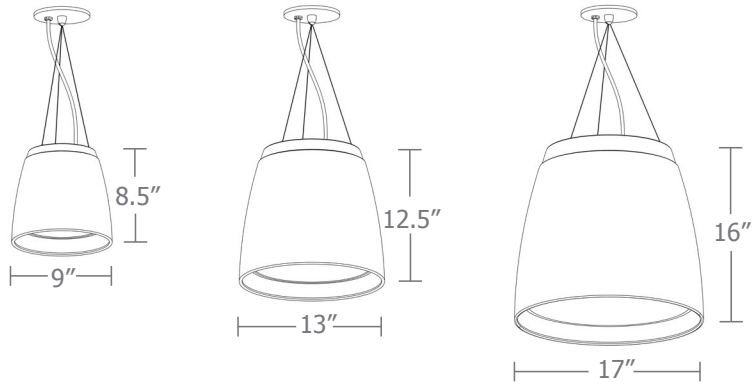
optional WREM: wired for remote EM battery (by other). 2nd power cord required.



## catalog number

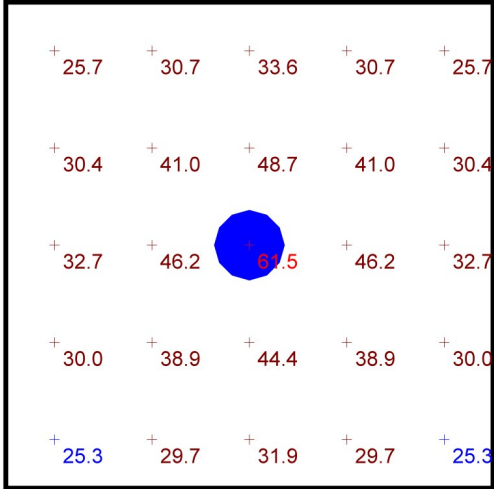
P5917						
<b>size</b> P5917 17"dia X 16"ht	<b>direct LED</b> CCT lumens 27 2700K FX 2580 lm 30 3000K LO 3375 lm 35 3500K HI 4550 lm 40 4000K HX 4985 lm CL* xxxx lm custom lumens consult factory	<b>indirect LED</b> CCT lumens 27 2700K FX 775 lm 30 3000K LO 1550 lm 35 3500K HI 2135 lm 40 4000K CL* xxxx lm custom lumens consult factory	<b>painted finish</b> AP anodized paint BS brass BU blue BZ bronze CP champagne FB flat black GM gun metal MB military blue MW matte white OR orange RD red SB satin black SS satin silver TG textured gray YO yellow	<b>power cord</b> WHPC white power cord and canopy BKPC black power cord and canopy SBPC silver braid power cord and white canopy	<b>options</b> 6FT 72" cables 12FT 12ft adj suspension BL Bottom lens DCDM dual circuit wiring on dimming direct/indirect (requires 2nd power cord) WREM wired for remote EM battery pack (by other) (see note above) ELD EldoLED* LUT Lutron* *consult factory	
			<b>premium finish</b> RAL specify RAL#			 





## Quick Calc Typical Lighting Layout

- 10' x 10' x 10'H space
- 80/50/20 reflectances
- bottom of fixture at 12' aff
- FC readings at 2.5' aff
- layout conducted using 17" dia. unit with HX lumen downlight and HI lumen uplight for total 7120 delivered lumens



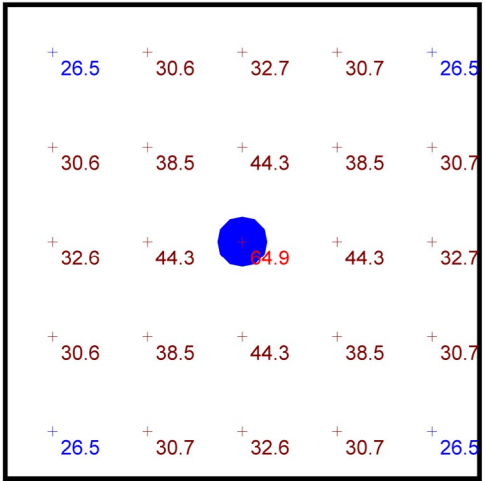
Plan View  
Scale - 1" = 2ft

Statistics						
Description	Symbol	Avg	Max	Min	Max/Min	Avg/Min
top.ls.tiki.up	+	35.3 fc	61.5 fc	25.3 fc	2.4:1	1.4:1

Schedule						
Symbol	QTY	Manufacturer	Catalog Number	Description	Lamp	Wattage
○	1	Impact Architectural Lighting	P5917 40 HX 40 HI	17" dia. pendant top.ls.tiki.up luminaire w/ open bottom	4000k 90cri LED	73

## Advanced Calculation Typical Lighting Layout

- 12' x 12' x 16'H space
- 80/50/20 reflectances
- bottom of fixture at 12' aff
- FC readings at 2.5' aff
- layout conducted using 17" dia. unit with individual files for HX lumen downlight and HI lumen uplight for total 7120 delivered lumens



Plan View  
Scale - 1" = 2ft

Schedule						
Symbol	QTY	Manufacturer	Catalog Number	Description	Lamp	Wattage
○	1	Impact Architectural Lighting	P5917 40 HX 40 xx	17" dia. pendant top.ls.tiki.up DOWNLIGHT portion ONLY	4000k 90cri LED	45
○	1	Impact Architectural Lighting	P5917 40 xx 40 HI	17" dia. pendant top.ls.tiki.up UPLIGHT portion ONLY	4000k 90cri LED	28

Statistics						
Description	Symbol	Avg	Max	Min	Max/Min	Avg/Min
top.ls.tiki.up	+	35.1 fc	64.9 fc	26.5 fc	2.4:1	1.3:1



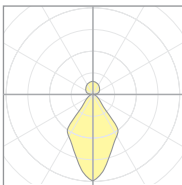
# Quick Calc Table

Tests indicated below are a combination of direct and indirect. LLF are as close as possible.

for more detailed calculations see table on next page.

Cat No	Direct Delivered* Lumens	Indirect Delivered* Lumens	Watts 120V / 277V	IES File #	LLF to be applied
<b>P5909 LO UP</b>	995	970	20	<b>10211U09A</b> open	.58
				<b>20154</b> lensed	.55
<b>P5909 HI UP</b>	1985	970	30	<b>10211U09A</b> open	.87
				<b>20154</b> lensed	.82
<b>P5909 HX UP</b>	2780	970	39	<b>10211U09A</b> open	1.10
				<b>20154</b> lensed	1.03
<b>P5913 FX FX</b>	1585	775	24	<b>10212U13A</b> open	.36
				<b>20620.1</b> lensed	.39
<b>P5913 LO LO</b>	2975	1745	49	<b>10212U13A</b> open	.73
				<b>20620.1</b> lensed	.73
<b>P5913 HI HI</b>	3375	1940	55	<b>10212U13A</b> open	.82
				<b>20620.1</b> lensed	.87
<b>P5913 HX HI</b>	4120	1940	62	<b>10212U13A</b> open	.93
				<b>20620.1</b> lensed	.99
<b>P5917 FX FX</b>	2580	775	35	<b>10213U17A</b> open	.45
				<b>20620.1</b> lensed	.55
<b>P5917 LO LO</b>	3375	1550	51	<b>10213U17A</b> open	.66
				<b>20620.1</b> lensed	.81
<b>P5917 HI HI</b>	4550	2135	68	<b>10213U17A</b> open	.90
				<b>20620.1</b> lensed	1.09
<b>P5917 HX HI</b>	4985	2135	73	<b>10213U17A</b> open	.96
				<b>20620.1</b> lensed	1.17

\*delivered lumens based on 4000K, 90+ cri



10213U17A  
P5917-40HI-40HI

The application of a Light Loss Factor is required to:

- match the lumen output for the power module specified
- incorporate the increased lumen output due to LED/Driver upgrades



# Advanced Calculation Table

Tests are for each element separately and must be "stacked" to represent single fixture  
Consult factory for applications assistance

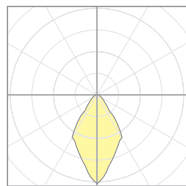
## Direct

Cat No	Delivered* Lumens	Watts 120V/277V	IES File #	LLF to be applied
P5909	LO 995	10	10211U09C open	.44
			20617.1 lensed	.24
P5909	HI 1985	21	10211U09C open	.89
			20617.1 lensed	.48
P5909	HX 2780	29	10211U09C open	1.24
			20617.1 lensed	.67
P5913	FX 1585	16	20616.1 open	.41
			20617.1 lensed	.38
P5913	LO 2975	31	20616.1 open	.78
			20617.1 lensed	.72
P5913	HI 3375	35	20616.1 open	.88
			20617.1 lensed	.82
P5913	HX 4126	42	20616.1 open	1.07
			20617.1 lensed	1.00
P5917	FX 2580	27	20688 open	.62
			20617.1 lensed	.62
P5917	LO 3375	35	20688 open	.81
			20617.1 lensed	.82
P5917	HI 4550	47	20688 open	1.09
			20617.1 lensed	1.10
P5917	HX 4985	51	20688 open	1.19
			20617.1 lensed	1.21

\*delivered lumens based on 4000K, 90+ cri

## Indirect

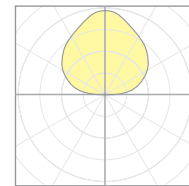
Delivered* Lumens	Watts 120V/277V	IES File #	LLF to be applied
UP 970	10	10211U09B	.84
FX 775	8	10212U13B	.32
LO 1745	18	10212U13B	.72
HI 1940	20	10212U13B	.80
FX 775	8	10213U17B	.29
LO 1550	16	10213U17B	.58
HI 2135	22	10213U17B	.80



20688  
P5117-40CL (4000lm) NUL

The application of a Light Loss Factor is required to:

- match the lumen output for the power module specified
- incorporate the increased lumen output due to LED/Driver upgrades



10212U13B  
P5913-NDL-40HI



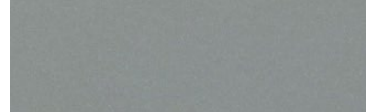
## Powder Coat Paint Finishes



**MW** matte white



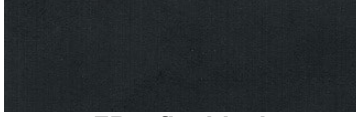
**AP** anodized paint



**SS** satin silver



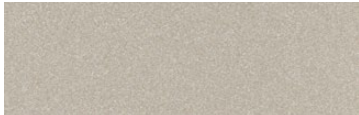
**TG** textured gray



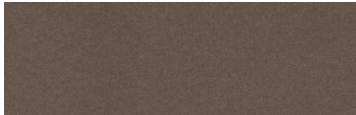
**FB** flat black



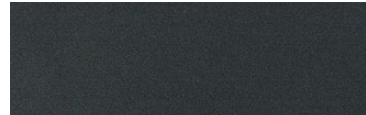
**SB** satin black



**CP** champagne



**BZ** bronze



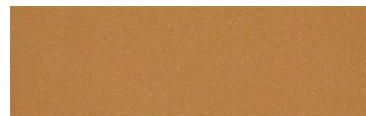
**GM** gun metal



**OR** orange 2011



**BU** blue 5017



**BS** brass



**RD** red 3020



**YO** yellow 1018



**MB** military blue

For accurate color verification, actual finish samples are available upon request.

## Premium Finishes\*



**RAL#**

\*Available on select series. Consult product submittal for availability.